

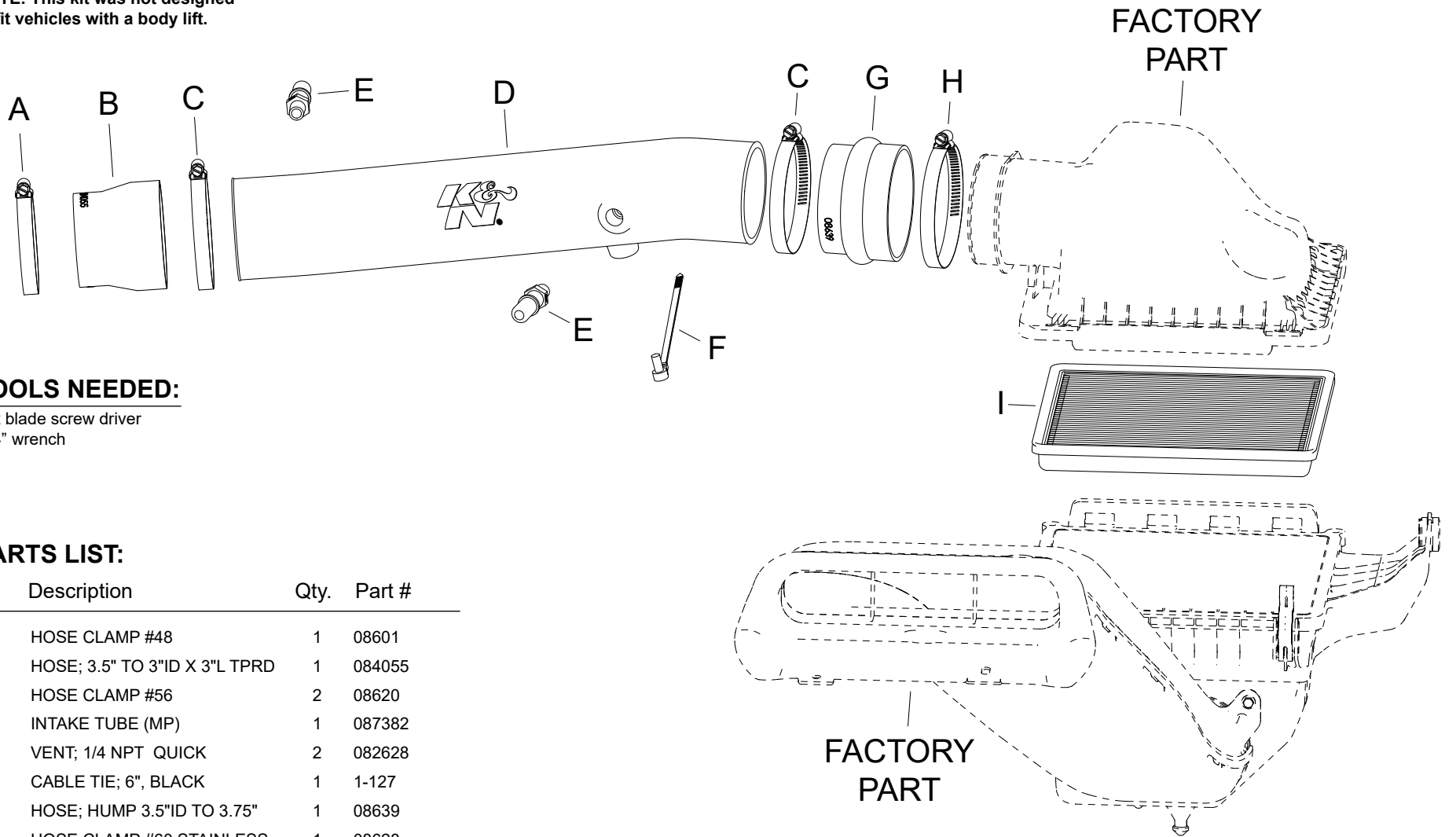


INTAKE SYSTEMS FOR VEHICLES LISTED ARE 50 STATE LEGAL. SEE KNFILTERS.COM FOR CARB STATUS ON EACH PART FOR A SPECIFIC VEHICLE.

INSTALLATION INSTRUCTIONS

57-2604
FORD
2018-20 F150
V6-3.3L

NOTE: This kit was not designed to fit vehicles with a body lift.



TOOLS NEEDED:

- flat blade screw driver
- 3/4" wrench

PARTS LIST:

Description	Qty.	Part #
A HOSE CLAMP #48	1	08601
B HOSE; 3.5" TO 3"ID X 3"L TPRD	1	084055
C HOSE CLAMP #56	2	08620
D INTAKE TUBE (MP)	1	087382
E VENT; 1/4 NPT QUICK	2	082628
F CABLE TIE; 6", BLACK	1	1-127
G HOSE; HUMP 3.5"ID TO 3.75"	1	08639
H HOSE CLAMP #60 STAINLESS	1	08628
I FILTER	1	33-2385

If you need any assistance please call 1-800-858-3333 to speak with a representative in our Customer Service Center before returning the product.

NOTE: FAILURE TO FOLLOW INSTALLATION INSTRUCTIONS AND NOT USING THE PROVIDED HARDWARE MAY DAMAGE THE INTAKE TUBE, THROTTLE BODY AND ENGINE.

TO START:

1. Turn off the ignition and disconnect the negative battery cable.
NOTE: Disconnecting the negative battery cable erases pre-programmed electronic memories. Write down all memory settings before disconnecting the negative battery cable. Some radios will require an anti-theft code to be entered after the battery is reconnected. The anti-theft code is typically supplied with your owner's manual. In the event your vehicles anti-theft code cannot be recovered, contact an authorized dealership to obtain your vehicles anti-theft code.



2. Disconnect the two intake vent lines shown.



3. Loosen the hose clamps that secure the intake tube, unclip the coolant line and vent hose clip and then remove the factory intake tube.
NOTE: K&N Engineering, Inc., recommends that customers do not discard factory air intake.



4. Unclip the upper air filter housing clips and remove the upper air filter housing and factory air filter.



5. Install the K&N® air filter and then reinstall the air filter housing do not secure the lid at this time.



6. Install the provided coupling hose (084055) onto the throttle body and secure with the provided hose clamp.



7. Install the provided coupler hose (08639) onto the air filter housing and secure with the provided hardware.



8. Install the provided quick connect fittings into the K&N® intake tube as shown.

NOTE: Plastic NPT fittings are easy to cross thread. Install the vent fitting "hand" tight, then turn it two complete turns with a wrench.



9. Install the K&N® intake tube into the Coupler at the throttle body and then onto the coupler at the air filter housing. Secure the upper air filter housing and then adjust the tube for best fit and secure with the provided hose clamps.



10. Secure the vent hose to the K&N® intake tube with the provided mounting head tie wrap.



11. Connect the factory vent lines to the quick connect fittings installed into the K&N® intake tube.



12. Reconnect the vehicle's negative battery cable. Double check to make sure everything is tight and properly positioned before starting the vehicle.

13. The C.A.R.B. exemption sticker, (attached), must be visible under the hood so that an emissions inspector can see it when the vehicle is required to be tested for emissions. California requires testing every two years, other states may vary.

14. It will be necessary for all K&N® high flow intake systems to be checked periodically for realignment, clearance and tightening of all connections. Failure to follow the above instructions or proper maintenance may void warranty.

ROAD TESTING:

1. Start the engine with the transmission in neutral or park, and the parking brake engaged. Listen for air leaks or odd noises. For air leaks secure hoses and connections. For odd noises, find cause and repair before proceeding. This kit will function identically to the factory system except for being louder and much more responsive.

2. Test drive the vehicle. Listen for odd noises or rattles and fix as necessary.

3. If road test is fine, you can now enjoy the added power and performance from your kit.

4. K&N Engineering, Inc., requires cleaning the intake system's air filter element every 100,000 miles. When used in dusty or off-road environments, our filters will require cleaning more often. We recommend that you visually inspect your filter once every 25,000 miles to determine if the screen is still visible. When the screen is no longer visible some place on the filter element, it is time to clean it. To clean and re-oil, purchase our filter Recharger® service kit, part number 99-5050 or 99-5000 and follow the easy instructions.

INTAKE SYSTEMS FOR VEHICLES LISTED ARE 50 STATE LEGAL. SEE KNFILTERS.COM FOR CARB STATUS ON EACH PART FOR A SPECIFIC VEHICLE.