



AIRCHARGER®

HIGH-FLOW INTAKE KITS

NOT LEGAL FOR SALE OR USE ON ANY POLLUTION CONTROLLED MOTOR VEHICLE IN CALIFORNIA OR STATES ADOPTING CALIFORNIA EMISSION PROCEDURES.
See knfilters.com for CARB status on each part for a specific vehicle

INSTALLATION INSTRUCTIONS

63-2610
FORD
2015-20 F150
V8-5.0L

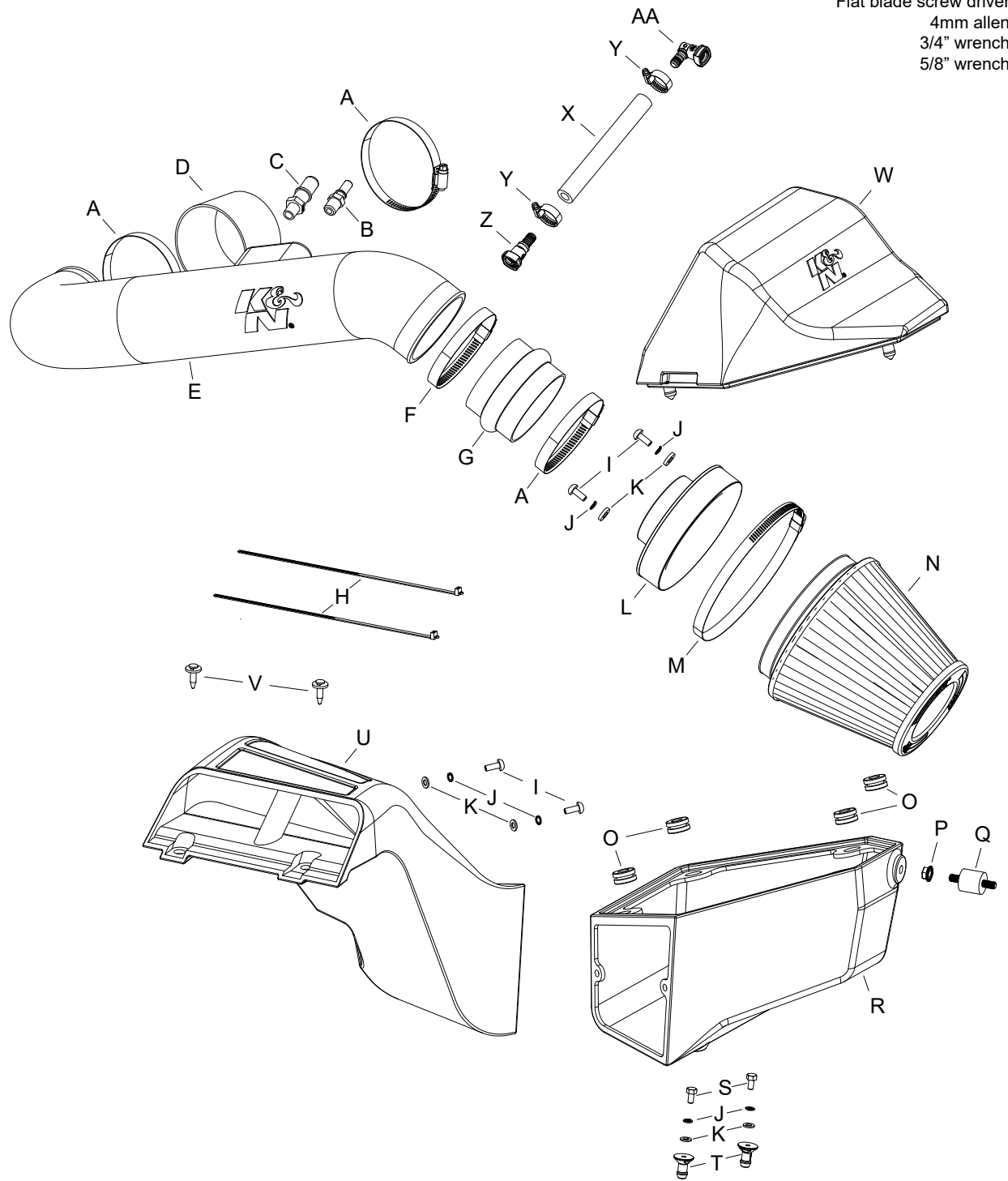
NOTE: This kit was not designed to fit vehicles with a body lift.

TOOLS NEEDED:

- Flat blade screw driver
- 4mm allen
- 3/4" wrench
- 5/8" wrench

PARTS LIST:

Description	Qty.	Part #
A HOSE CLAMP #56	3	08620
B VENT; STRT, 1/4NPT TO QUICK	1	82630
C VENT; 1/4" NPT TO QUICK	1	082628
D HOSE; 3.5"ID X 2"L	1	08698
E INTAKE TUBE (KB)	1	087296A
F HOSE CLAMP #60	1	08628
G HOSE; 3.5" ID TO 3.75" WRAP	1	08639
H CABLE TIES; 11" BLACK	2	21590
I BOLT; M6 X 1 X 16MM	4	07730
J WASHER; M6 SPLIT LOCK ZINC	6	1-3025
K WASHER; 6MM FLAT	6	08269
L ADAPTER; UNIVERSAL, 6"	1	21512-1
M HOSE CLAMP; #104	1	08697
N AIR FILTER	1	RF-10420
O GROMMET; 1"OD,1/2"ID,1/2"	4	08064
P NUT; M8, HEX, SERRATED	1	444.460.08
Q MOUNT, RUBBER 1" X 8MM	1	1228560
R AIRBOX; (MJ)	1	087426A
S BOLT; M6-1 X 16MM	2	07812
T MOUNT, PLASTIC AIRBOX	2	8-186-1
U SCOOP; (ML)	1	087428A
V CLIP; RETAINER BODY NYLON	2	KITRETCLIP02
W LID, (MK)	1	087427A
X HOSE; 5/8"ID X 9"L REIN.	1	08691
Y HOSE CLAMP; #10 MINI	2	08411
Z VENT; STRT QUICK DISC.	1	08526
AA FITTING; ELBOW, PCV 90°	1	KITFITTING33



If you need any assistance please call 1-800-858-3333 to speak with a representative in our Customer Service Center before returning the product.

NOTE: FAILURE TO FOLLOW INSTALLATION INSTRUCTIONS AND NOT USING THE PROVIDED HARDWARE MAY DAMAGE THE INTAKE TUBE, THROTTLE BODY AND ENGINE.

TO START:

1. Turn off the ignition and disconnect the negative battery cable.
NOTE: Disconnecting the negative battery cable erases pre-programmed electronic memories. Write down all memory settings before disconnecting the negative battery cable. Some radios will require an anti-theft code to be entered after the battery is reconnected. The anti-theft code is typically supplied with your owner's manual. In the event your vehicles anti-theft code cannot be recovered, contact an authorized dealership to obtain your vehicles anti-theft code.



2. Depress the locking tabs and then disconnect the crank case vent and EVAP vent lines.



3. Loosen the hose clamp that secures the intake tube to the throttle body.



4. Loosen the hose clamp that secures the intake tube to the air filter housing.



5. Remove the factory intake tube from the vehicle.



6. Release the two locking clips that secure the upper air filter housing and then remove the upper housing from the vehicle.

NOTE: K&N Engineering, Inc., recommends that customers do not discard factory air intake.



7. Remove the two clips that secure the fresh air intake duct to the core support.



8. On vehicles equipped with the wiring pigtail that secures to the lower air filter housing, disconnect the wiring harness from the lower air filter housing. Remove the bolt that secures the lower air filter housing to the inner fender and then remove the lower housing from the vehicle.



9. On vehicles that have the wiring pig tail that was attached to the lower air filter housing, use the provided tie wrap and secure the pig tail back away from the air filter housing location.



10. Install the provided rubber mounted stud into the factory air filter housing mounting location on the inner fender.



11. Install the two provided mounting studs onto the K&N® filter housing using the provided hardware.



12. Install the four mounting grommets into the K&N® air filter housing as shown.



13. Install the K&N® fresh air duct onto the air filter housing and secure with the provided hardware.



14. Install the K&N® air filter housing assembly into the vehicle and secure to the rubber mounted stud using the provided hardware.



15. Install the two provided retaining clips to secure the fresh air scoop to the core support.



16. Install the K&N® air filter onto the filter adapter and secure with the provided hardware.



17. Install the filter assembly into the upper K&N® air filter housing and secure with the provided hardware.



18. Install the upper air filter housing assembly onto the lower filter housing.



19. Install the provided hump coupler (08639) onto the filter adapter and secure with the provided hose clamp.



20. Install the provided coupler (08698) onto the throttle body and secure with the provided hose clamp.



21. Install the provided vent fittings into the K&N® intake tube as shown.
NOTE: Plastic NPT fittings are easy to cross thread. Install the vent fitting "hand" tight, then turn it two complete turns with a wrench.



22. Install the K&N® intake tube into the couplers, adjust for best fit and then secure with the provided hose clamps.



23. On vehicles that the CCV hose connects to the valve cover in front of the first coil pack, use the factory CCV hose and connect it to the fitting installed into the K&N® intake tube.



24. On vehicles that have the CCV hose connected to the valve cover between the second and third coil pack, assemble the provided CCV hose as shown.



25. Connect the 90° fitting to the valve cover and the straight fitting to the fitting installed into the K&N® intake tube. Connect the EVAP vent line to the fitting installed into the K&N® intake tube.



26. Reconnect the vehicle's negative battery cable. Double check to make sure everything is tight and properly positioned before starting the vehicle.

27. It will be necessary for all K&N® high flow intake systems to be checked periodically for realignment, clearance and tightening of all connections. Failure to follow the above instructions or proper maintenance may void warranty.

ROAD TESTING:

1. Start the engine with the transmission in neutral or park, and the parking brake engaged. Listen for air leaks or odd noises. For air leaks secure hoses and connections. For odd noises, find cause and repair before proceeding. This kit will function identically to the factory system except for being louder and much more responsive.

2. Test drive the vehicle. Listen for odd noises or rattles and fix as necessary.

3. If road test is fine, you can now enjoy the added power and performance from your kit.

4. K&N Engineering, Inc., requires cleaning the intake system's air filter element every 100,000 miles. When used in dusty or off-road environments, our filters will require cleaning more often. We recommend that you visually inspect your filter once every 25,000 miles to determine if the screen is still visible. When the screen is no longer visible some place on the filter element, it is time to clean it. To clean and re-oil, purchase our filter Recharger® service kit, part number 99-5050 or 99-5000 and follow the easy instructions.

NOT LEGAL FOR SALE OR USE ON ANY POLLUTION CONTROLLED MOTOR VEHICLE IN CALIFORNIA OR STATES ADOPTING CALIFORNIA EMISSION PROCEDURES.

See knfilters.com for CARB status on each part for a specific vehicle