



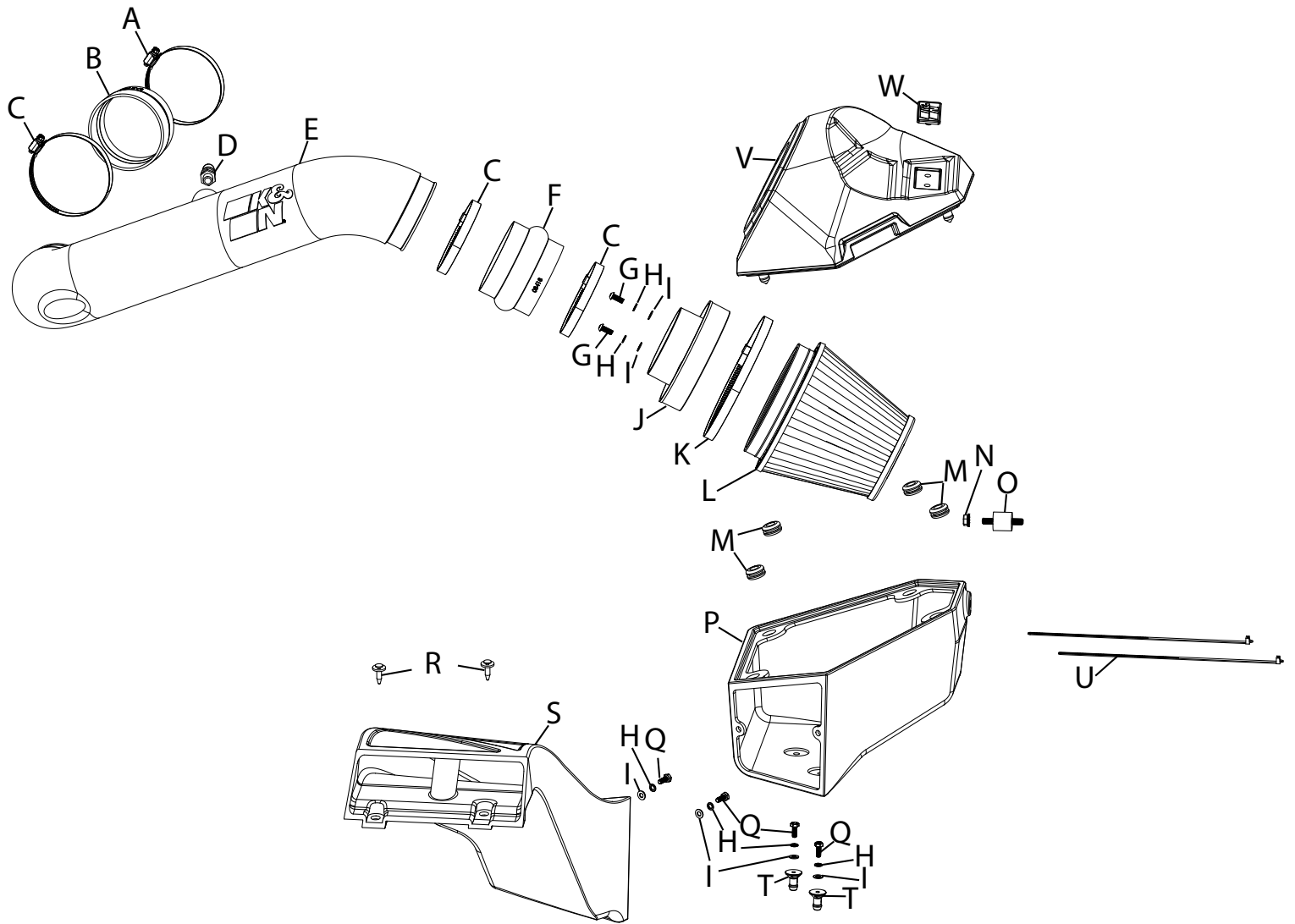
AIRCHARGER®

HIGH-FLOW INTAKE KITS

NOT LEGAL FOR SALE OR USE ON ANY POLLUTION CONTROLLED MOTOR VEHICLE IN CALIFORNIA OR STATES ADOPTING CALIFORNIA EMISSION PROCEDURES.
See knfilters.com for CARB status on each part for a specific vehicle

INSTALLATION INSTRUCTIONS

63-2616
FORD
2021-22 F-150
V8-5.0L



TOOLS NEEDED:

- Ratchet
- Extension
- 7mm socket
- 8mm socket
- 5mm allen key
- flat head screw driver

PARTS LIST:

| Description | Qty. | Part # | Description | Qty. | Part # | Description | Qty. | Part # |
|-----------------------------|------|--------|--------------------------|------|------------|-----------------------------|------|--------------|
| A HOSE CLAMP; #60 STAINLESS | 1 | 08628 | I WASHER; 6MM FLAT | 6 | 08269 | Q BOLT; M6-1 X 16MM HEX | 4 | 07812 |
| B HOSE; 4" TO 3-13/16"ID | 1 | 08618 | J ADAPTOR; #454 | 1 | 27300 | R CLIP; RETAINER BODY | 2 | KITRETCLIP02 |
| C HOSE CLAMP; #64 STAINLESS | 3 | 08645 | K HOSE CLAMP; #104 | 1 | 08697 | S AIR DUCT; FRESH AIR (PO)1 | 1 | 087519 |
| D VENT; 1/4NPT | 1 | 082628 | L AIR FILTER | 1 | RU-1042 | T MOUNT; PLASTIC AIRBOX | 2 | 8-186-1 |
| E TUBE; (PP) | 1 | 087520 | M GROMMET; 1"OD, 1/2"ID | 4 | 08064 | U CABLE TIES; 11" BLK | 2 | 21590 |
| F HOSE; HUMP 4"ID X 3"L | 1 | 08418 | N NUT; M8 HEX | 1 | 444.460.08 | V LID; (PN) | 1 | 087518 |
| G BOLT; M6 X 1 X 16MM BTNHD | 2 | 07730 | O MOUNT; RUBBER 1" X 8MM | 1 | 1228560 | W BADGE; PLASTIC SNAP IN | 1 | 088096 |
| H WASHER; M6 SPLIT LOCK | 6 | 1-3025 | P AIRBOX (MJ) | 1 | 087426A | | | |

If you need any assistance please call 1-800-858-3333 to speak with a representative in our Customer Service Center before returning the product.

NOTE: FAILURE TO FOLLOW INSTALLATION INSTRUCTIONS AND NOT USING THE PROVIDED HARDWARE MAY DAMAGE THE INTAKE TUBE, THROTTLE BODY AND ENGINE.

TO START:

1. Turn off the ignition and disconnect the negative battery cable.
NOTE: Disconnecting the negative battery cable erases pre-programmed electronic memories. Write down all memory settings before disconnecting the negative battery cable. Some radios will require an anti-theft code to be entered after the battery is reconnected. The anti-theft code is typically supplied with your owner's manual. In the event your vehicles anti-theft code cannot be recovered, contact an authorized dealership to obtain your vehicles anti-theft code.



2. Loosen the hose clamp that secures the factory intake tube to the air filter housing.



3. Release the CCV quick connect fitting and disconnect the fitting from the intake tube. Unhook the coolant line from the intake tube. Loosen the hose clamp that secures the intake tube to the throttle body.



4. Remove the intake tube from the vehicle.



5. Pry up the push-pin locks that secure the fresh air intake duct and remove the pins.



6. Remove the bolt that secures the factory air filter housing to the inner fender.



7. Remove the air filter housing/fresh air intake duct assembly from the vehicle.



8. Install the provided grommets into the K&N lower air filter housing.



9. Install the provided mounting studs onto the K&N lower air filter housing using the provided hardware.



10. Install the K&N fresh air duct onto the K&N lower air filter housing using the provided hardware.



11. Install the provided rubber mounted stud into the inner fender at the air filter housing mounting location.



12. Install the K&N lower air filter housing assembly into the vehicle.



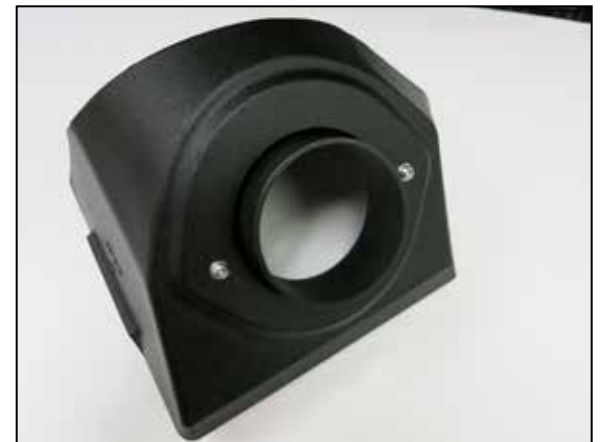
13. Secure the housing to the rubber mounted stud from step #11 with the provided hardware.



14. Secure the fresh air intake duct with the provided push pins.



15. Snap the K&N badge into the upper air filter housing.



16. Install the filter adapter into the upper housing using the provided hardware.



17. Install the K&N air filter onto the adapter and secure with the provided hose clamp.



18. Install the upper housing assembly onto the lower housing so the mounting posts insert into the grommets.



19. Install the provided CCV quick connect fitting into the K&N intake tube.



20. Install the couplers onto the K&N intake tube and secure with the provided hose clamps.



21. Install the K&N intake tube onto the throttle body and filter adapter, adjust for best fit and then secure with the provided hose clamps.



22. Connect the factory CCV hose to the quick connect fitting installed into the K&N intake tube.



23. Reconnect the vehicle's negative battery cable. Double check to make sure everything is tight and properly positioned before starting the vehicle.

24. It will be necessary for all K&N® high flow intake systems to be checked periodically for realignment, clearance and tightening of all connections. Failure to follow the above instructions or proper maintenance may void warranty.

ROAD TESTING:

1. Start the engine with the transmission in neutral or park, and the parking brake engaged. Listen for air leaks or odd noises. For air leaks secure hoses and connections. For odd noises, find cause and repair before proceeding. This kit will function identically to the factory system except for being louder and much more responsive.

2. Test drive the vehicle. Listen for odd noises or rattles and fix as necessary.

3. If road test is fine, you can now enjoy the added power and performance from your kit.

4. K&N Engineering, Inc., requires cleaning the intake system's air filter element every 100,000 miles. When used in dusty or off-road environments, our filters will require cleaning more often. We recommend that you visually inspect your filter once every 25,000 miles to determine if the screen is still visible. When the screen is no longer visible some place on the filter element, it is time to clean it. To clean and re-oil, purchase our filter Recharger® service kit, part number 99-5050 or 99-5000 and follow the easy instructions.

NOT LEGAL FOR SALE OR USE ON ANY POLLUTION CONTROLLED MOTOR VEHICLE IN CALIFORNIA OR STATES ADOPTING CALIFORNIA EMISSION PROCEDURES.

See knfilters.com for CARB status on each part for a specific vehicle