

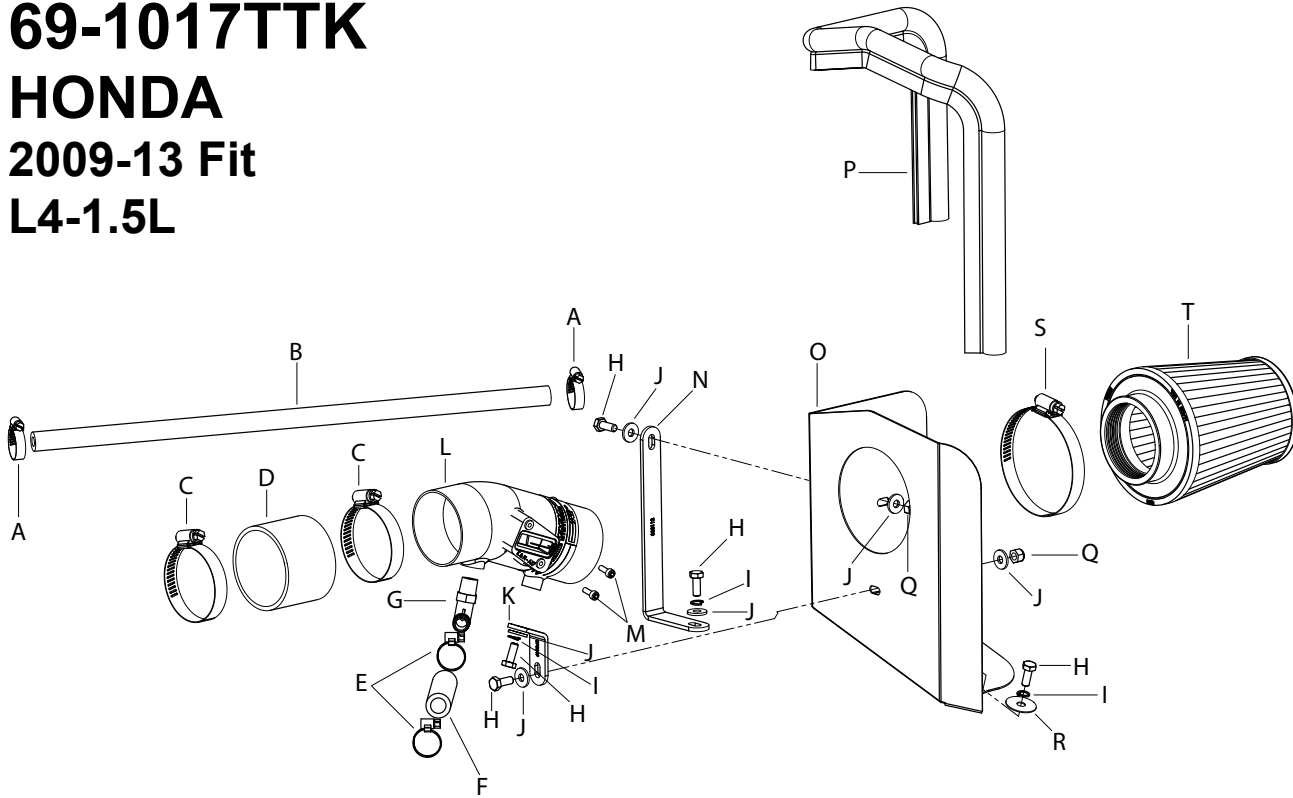


# TYPHOON INTAKE SYSTEMS

INTAKE SYSTEMS FOR VEHICLES LISTED ARE 50 STATE LEGAL. SEE KNFILTERS.COM FOR CARB STATUS ON EACH PART FOR A SPECIFIC VEHICLE.

## INSTALLATION INSTRUCTIONS

**69-1017TTK**  
**HONDA**  
**2009-13 Fit**  
**L4-1.5L**



### PARTS LIST:

Description	Qty.	Part #
A Hose Clamp #004	2	21850
B Hose; 5/16"ID X 17"L	1	5-2017
C Hose Clamp #40	2	08554
D Hose; 2.5"ID X 2"L	1	08284
E Hose Clamp #6 Mini	2	08407
F Hose; 1/2"ID X 9"L	1	08401
G Vent; 90deg, 1/2"Hose, 1/4"NPT, Plastic	1	08110FK
H Bolt; M6-1 X 16MM	5	07812
I Washer; 1/4" Lock, ZN	3	08198
J Washer; 1/4"ID X 5/8"OD	6	08275
K Bracket; Angled Small	1	070049
L Intake Tube	1	27455TTK
M Bolt; M4 - .7 X 8MM	2	07733
N Bracket; "L"	1	083112
O Heat Shield	1	073112
P Edge Trim (30")	1	102489A
Q Nut; 6MM Nylock	2	07512
R Washer; 1"D X 1/4 Hole Fender	1	08160
S Hose Clamp #44	1	08577
T Air Filter	1	RU-9630

### TOOLS NEEDED:

- 7/32" Socket
- 5/8" Wrench
- 3mm Allen Wrench
- 10mm Socket
- 10mm Wrench
- Extension
- Flat Blade Screwdriver
- Pliers
- Phillips Screwdriver
- Ratchet

**NOTE: FAILURE TO FOLLOW INSTALLATION INSTRUCTIONS AND NOT USING THE PROVIDED HARDWARE MAY DAMAGE THE INTAKE TUBE, THROTTLE BODY AND ENGINE.**

### TO START:

1. Turn off the ignition and disconnect the negative battery cable.

**NOTE: Disconnecting the negative battery cable erases pre-programmed electronic memories. Write down all memory settings before disconnecting the negative battery cable. Some radios will require an anti-theft code to be entered after the battery is reconnected. The anti-theft code is typically supplied with your owner's manual. In the event your vehicles' anti-theft code cannot be recovered, contact an authorized dealership to obtain your vehicles anti-theft code.**



2. Disconnect the mass air sensor electrical connection and unhook the wiring harness from the factory air box.



3. Release the four upper air box retaining clips and then remove the upper air box from the vehicle.



4. Remove the two air box mounting bolts shown.



5. Loosen the hose clamp which secures the air box to the throttle body.



6. Release the spring clamp which secures the crank case vent hose to the air box and then disconnect the crankcase vent hose.



7. Remove the complete air box assembly from the vehicle.

**NOTE: Use caution while removing the air box to avoid damage. The air box can be removed without removing the battery.**  
**NOTE: K&N Engineering, Inc., recommends that customers do not discard factory air intake.**



8. Install the provided edge trim onto the heat shield as shown.  
**NOTE: Some trimming of the edge trim will be necessary.**



9. Install the provided tube mounting bracket (070049) onto the heat shield as shown using the provided hardware.

**NOTE: Do not completely tighten at this time.**

9a. For manual transmission equipped vehicles, skip to step #12.



10. Remove the bolt which secures the ground strap to the transmission mount.



11. Install the heat shield mounting bracket (083112) onto the ground strap location from step #10. Be sure to secure the ground strap on top of the installed bracket.



12. Install the heat shield assembly into position and secure to the previously installed bracket with the hardware provided.

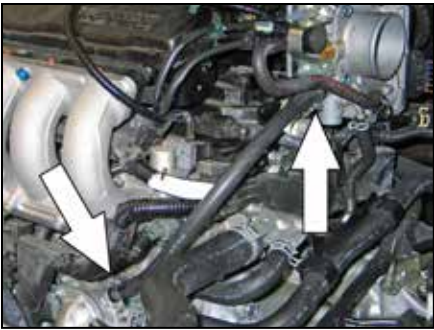
**NOTE: For manual transmission equipped vehicles, the heat shield will be secured to the factory air box mounting bracket only.**



13. Release the spring clamp which secures the crank case vent hose to the valve cover and disconnect the vent hose from the valve cover.



14. **Be sure the engine is cool and the cooling system is not under pressure.** Loosen the hose clamps and remove the coolant bypass hose from the throttle body and thermostat housing. Be sure to capture any lost coolant in an appropriate container.



15. Install the provided coolant bypass hose and secure with the provided hose clamps. Be sure to replace any lost coolant.



16. Install the provided silicone hose (08284) onto the throttle body and secure with the provided hose clamp.



17. Remove the two screws securing the mass air sensor to the air box and then remove the mass air sensor as shown.



18. Install the mass air sensor into the K&N intake tube and secure with the provided hardware.



19. Install the provided 90° npt fitting into the K&N intake tube as shown.

**NOTE: Plastic NPT fittings are easy to cross thread. Install the vent fitting "hand" tight, then turn it two complete turns with a wrench.**



20. Install the K&N intake tube into the silicone hose on the throttle body and align with the mounting bracket installed onto the heat shield. Secure with the provided hose clamp and hardware.



21. Install the provided crankcase vent hose onto the fitting installed onto the K&N intake tube and then connect the open end to the valve cover vent port.



22. Install the K&N air filter and secure with the provided hose clamp.  
**NOTE: Drycharger air filter wrap; part number RC-9350DK is available to purchase separately. To learn more about Drycharger filter wraps or look up color availability please visit <http://www.knfilters.com>.**



23. Reconnect the mass air sensor electrical connection.



24. Reconnect the vehicle's negative battery cable. Double check to make sure everything is tight and properly positioned before starting the vehicle.

25. The C.A.R.B. exemption sticker, (attached), must be visible under the hood so that an emissions inspector can see it when the vehicle is required to be tested for emissions. California requires testing every two years, other states may vary.

26. It will be necessary for all K&N high flow intake systems to be checked periodically for realignment, clearance and tightening of all connections. Failure to follow the above instructions or proper maintenance may void warranty.

#### ROAD TESTING:

1. Start the engine with the transmission in neutral or park, and the parking brake engaged. Listen for air leaks or odd noises. For air leaks secure hoses and connections. For odd noises, find cause and repair before proceeding. This kit will function identically to the factory system except for being louder and much more responsive.

2. Test drive the vehicle. Listen for odd noises or rattles and fix as necessary.

3. If road test is fine, you can now enjoy the added power and performance from your kit.

4. K&N Engineering, Inc., requires cleaning the intake system's air filter element every 100,000 miles. When used in dusty or off-road environments, our filters will require cleaning more often. We recommend that you visually inspect your filter once every 25,000 miles to determine if the screen is still visible. When the screen is no longer visible some place on the filter element, it is time to clean it. To clean and re-oil, purchase our filter Recharger service kit, part number 99-5050 or 99-5000 and follow the easy instructions.

**INTAKE SYSTEMS FOR VEHICLES LISTED ARE 50 STATE LEGAL. SEE KNFILTERS.COM FOR CARB STATUS ON EACH PART FOR A SPECIFIC VEHICLE.**