



TYPHOON INTAKE SYSTEMS

INTAKE SYSTEMS FOR VEHICLES LISTED ARE 50 STATE LEGAL. SEE KNFILTERS.COM FOR CARB STATUS ON EACH PART FOR A SPECIFIC VEHICLE.

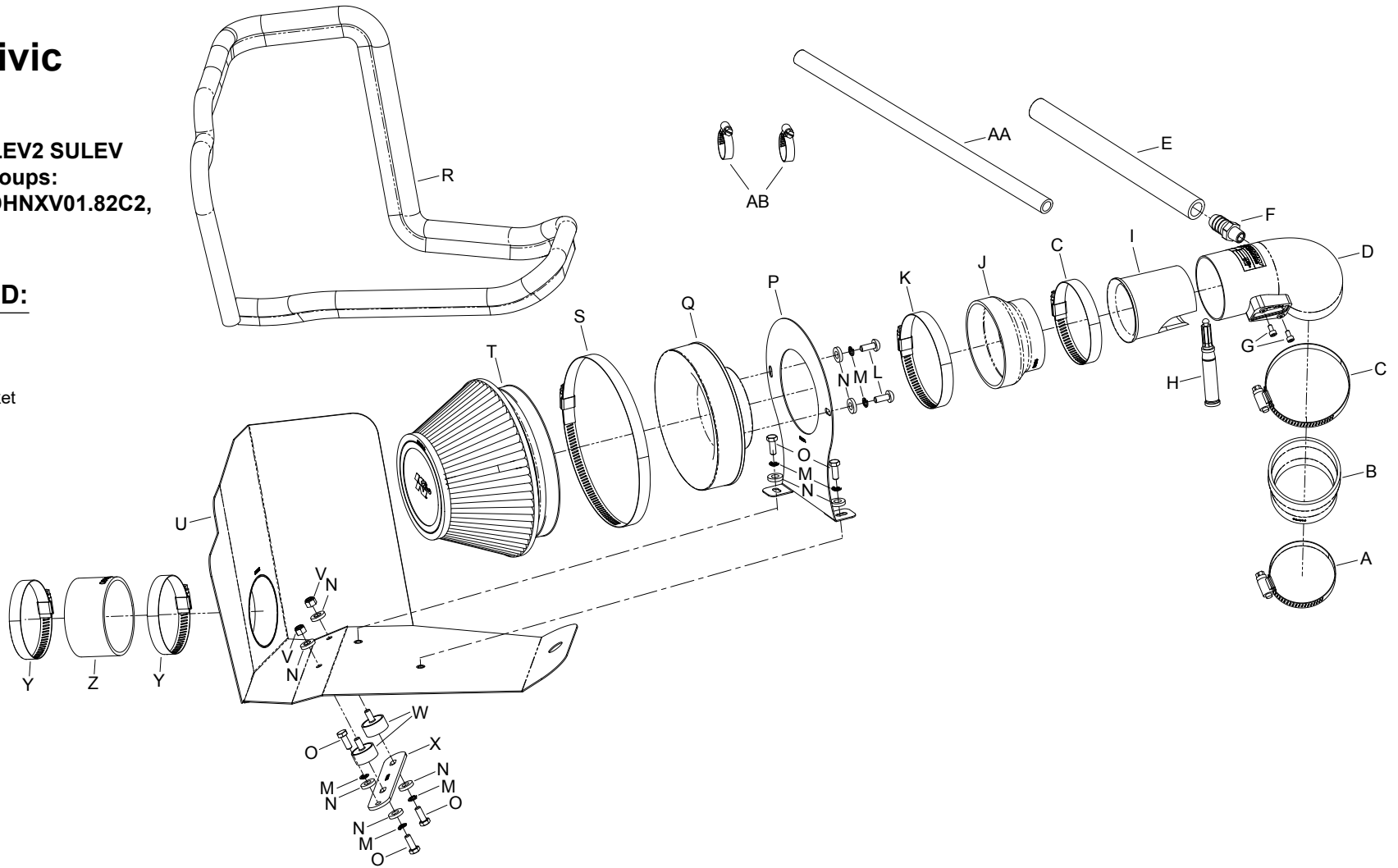
INSTALLATION INSTRUCTIONS

69-1020TS HONDA 2012-14 Civic L4-1.8L

NOTE: Excludes LEV2 SULEV
2012-2014 Test Groups:
CHNXV01.8VC2, DHNXV01.82C2,
EHNXV01.8WC2

TOOLS NEEDED:

- Ratchet
- Extension
- 10mm socket
- 8mm socket, 6mm socket
- Phillips screw driver
- Flat blade screw driver
- 10mm wrench
- 3/4" wrench
- 4mm Allen
- 3mm Allen
- pliers.



PARTS LIST:

Description	Qty.	Part #	Description	Qty.	Part #	Description	Qty.	Part #
A HOSE CLAMP; #36	1	08530	J HOSE; 3.5" TO 2.75"ID X 2"L	1	084093	S HOSE CLAMP; #104	1	08697
B HOSE; 2.75" TO 2.5"ID X 2.5"L	1	084016	K HOSE CLAMP; #56	1	08620	T AIR FILTER	1	RU-4600
C HOSE CLAMP; #44 STAINLESS	2	08560	L BOLT; M6 X 1 X 16MM	2	07730	U HEAT SHIELD	1	073122
D INTAKE TUBE; SILVER	1	27581TS	M WASHER; M6 SPLIT LOCK	7	1-3025	V NUT; 6MM NYLOCK	2	07512
E HOSE; 5/8"ID X 9.75"L	1	084047	N WASHER; 1/4"ID X 5/8"OD	9	08275	W STUD; RUBBER 1/2"L X 1"W	2	070228
F FITTING; VENT 1/4"NPT	1	82638	O BOLT; M6-1 X 16MM	5	07812	X BRACKET; STRT	1	083173
G BOLT; M4-.7 X 8MM	2	07733	P BRACKET	1	083174	Y HOSE CLAMP; #48	2	08601
H SUPER GLUE	1	409	Q ADAPTER; 6" FILTER	1	21512-1	Z HOSE; 3"ID X 1.75"L	1	08190
I VENTURI; 2.5"OD X 2.25"ID	1	9-479	R EDGE TRIM; 57"L	1	102470	AA HOSE; 5/16"ID X 17"L	1	5-2017
						AB HOSE CLAMP; #6 MINI	2	08407

NOTE: FAILURE TO FOLLOW INSTALLATION INSTRUCTIONS AND NOT USING THE PROVIDED HARDWARE MAY DAMAGE THE INTAKE TUBE, THROTTLE BODY AND ENGINE.

TO START:

1. Turn off the ignition and disconnect the negative battery cable.
NOTE: Disconnecting the negative battery cable erases pre-programmed electronic memories. Write down all memory settings before disconnecting the negative battery cable. Some radios will require an anti-theft code to be entered after the battery is reconnected. The anti-theft code is typically supplied with your owner's manual. In the event your vehicles' anti-theft code cannot be recovered, contact an authorized dealership to obtain your vehicles anti-theft code.



2. Loosen the hose clamp securing the intake tube to the air box and then disconnect the tube from the air box.



3. Disconnect and remove the fresh air hose from the air box and fresh air inlet, then remove the hose from the vehicle.



4. Remove the two bolts retaining the air box.



5. Lift the air box up to release it from the mounting grommet and then pull it forward to gain access to the mass air sensor connection.



6. Disconnect the mass air sensor electrical connection and then remove the complete air box assembly.
NOTE: K&N Engineering, Inc., recommends that customers do not discard factory air intake.



7. Release the spring clamps securing the crank case vent hose connections to the valve cover and intake hose, and then disconnect crank case vent hose connections.



8. Release the spring clamps securing the coolant by-pass hose connections to the engine and then disconnect the coolant by-pass hose and remove the by-pass hose/crank case vent pipe assembly. **NOTE: be sure the engine is cool before attempting to remove the coolant by-pass hose. Be sure to collect any lost coolant and replenish into the cooling system once the install is complete.**



9. Install the provided coolant by-pass hose and secure with the provided hose clamp.



10. Loosen the hose clamp securing the intake hose to the throttle body and remove the intake hose from the throttle body.



11. Install the provided silicone hose (084016) onto the throttle body and secure with the provided hose clamp.



12. Install the provided silicone hose (08190) onto the fresh air duct and secure with the provided hose clamp.



13. Install the two rubber mounted studs onto the provided bracket (083173) as shown and secure with the provided hardware.



14. Install the bracket assembly onto the front air box mount as shown.



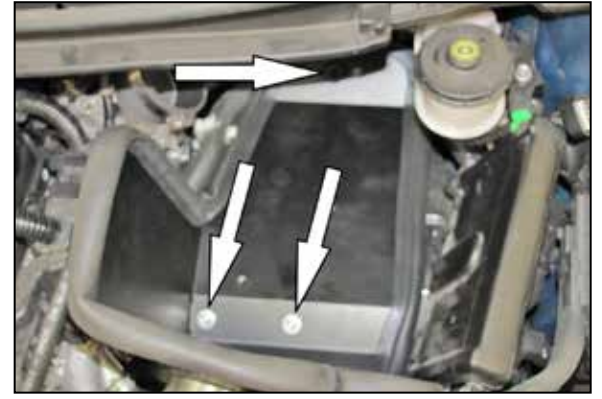
15. Remove the mounting grommet from the air box as shown.



16. Install the mounting grommet into the heat shield as shown.



17. Install the provided edge trim onto the heat shield as shown. **NOTE: Some trimming of the edge trim will be necessary.**



18. Install the heat shield assembly onto the air box mounting stud and rubber mounted studs and then secure with the provided hardware. Secure the fresh air inlet hose to the heat shield with the provided hardware.



19. Remove the two screws securing the mass air sensor and then remove the mass air sensor from the factory air box.



20. Install the mass air sensor into the K&N® intake tube and secure with the provided hardware.



21. Apply several drops of the provided glue to the air insert as shown.



22. Install the mass air sensor insert into the K&N® intake tube as shown.

NOTE: The insert will slide completely into the tube once installed properly.



23. Install the provided vent fitting into the K&N® tube as shown.

NOTE: NPT fitting has tapered threads and only designed to be installed until hand tight, then tighten one rotation or when the fitting becomes difficult to return.



24. Install the provided silicone hose (084093) onto the Intake tube as shown and secure with the provided hose clamp.



25. Install the intake tube into the silicone hose at the throttle body as shown. Do not tighten the hose clamp at this time.



26. Install the filter adapter onto the mounting bracket using the provided hardware.



27. Install the filter adapter into the silicone hose on the intake tube and align the bracket with the mounting holes in the heat shield. Secure the bracket with the provided hardware and secure the tube with the hose clamps.



28. Reconnect the mass air sensor electrical connection.



29. Install the provided crank case vent hose onto the vent port of the valve cover and to the fitting installed into the K&N® intake tube.



30. Install the K&N® air filter and secure with the provided hose clamp.



31. Reconnect the vehicle's negative battery cable. Double check to make sure everything is tight and properly positioned before starting the vehicle.

32. The C.A.R.B. exemption sticker, (attached), must be visible under the hood so that an emissions inspector can see it when the vehicle is required to be tested for emissions. California requires testing every two years, other states may vary.

33. It will be necessary for all K&N® high flow intake systems to be checked periodically for realignment, clearance and tightening of all connections. Failure to follow the above instructions or proper maintenance may void warranty.

ROAD TESTING:

1. Start the engine with the transmission in neutral or park, and the parking brake engaged. Listen for air leaks or odd noises. For air leaks secure hoses and connections. For odd noises, find cause and repair before proceeding. This kit will function identically to the factory system except for being louder and much more responsive.

2. Test drive the vehicle. Listen for odd noises or rattles and fix as necessary.

3. If road test is fine, you can now enjoy the added power and performance from your kit.

4. K&N Engineering, Inc., requires cleaning the intake system's air filter element every 100,000 miles. When used in dusty or off-road environments, our filters will require cleaning more often. We recommend that you visually inspect your filter once every 25,000 miles to determine if the screen is still visible. When the screen is no longer visible some place on the filter element, it is time to clean it. To clean and re-oil, purchase our filter Recharger® service kit, part number 99-5050 or 99-5000 and follow the easy instructions.

INTAKE SYSTEMS FOR VEHICLES LISTED ARE 50 STATE LEGAL. SEE KNFILTERS.COM FOR CARB STATUS ON EACH PART FOR A SPECIFIC VEHICLE.