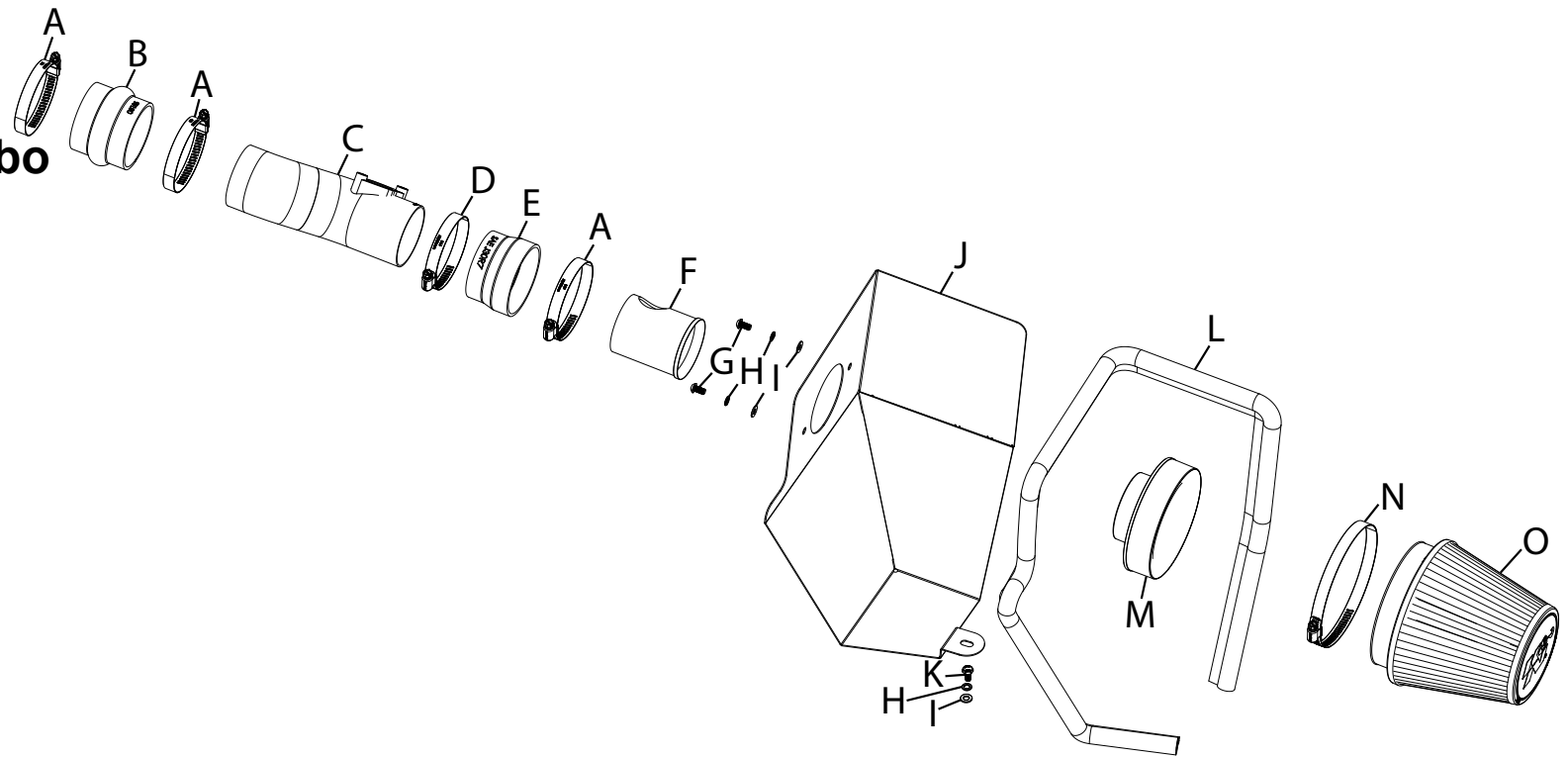


INSTALLATION INSTRUCTIONS

69-1509TC
HONDA
2022-23 Civic Turbo
L4-1.5L



TOOLS NEEDED:

- Ratchet
- Extension
- 10mm socket
- 8mm socket
- Phillips screw driver
- Flathead screw driver
- 4mm allen key
- Pliers

PARTS LIST:

Description	Qty.	Part #	Description	Qty.	Part #	Description	Qty.	Part #
A HOSE CLAMP; #40	3	08554	F VENTURI; 2.59"OD X 2.37"ID	1	9-0381	K BOLT; M6-1 X 16MM	1	07812
B HOSE; HUMP 2.75"ID X 2.5"L	1	08185	G BOLT; M6-1 X 12MM	2	07794	L EDGE TRIM; 48"L	1	102485A
C INTAKE TUBE	1	25880C	H WASHER; M6 SPLIT LOCK	3	1-3025	M ADAPTER; FILTER, 3"OD	1	21569
D HOSE CLAMP; #48	1	08601	I WASHER; 6MM FLAT	3	08269	N HOSE CLAMP; #88	1	KITHS88
E HOSE; 3" TO 2.75"ID X 2"L	1	084036	J HEAT SHIELD	1	074554	O AIR FITLER	1	RU-5147

If you need any assistance please call 1-800-858-3333 to speak with a representative in our Customer Service Center before returning the product.

NOTE: FAILURE TO FOLLOW INSTALLATION INSTRUCTIONS AND NOT USING THE PROVIDED HARDWARE MAY DAMAGE THE INTAKE TUBE, THROTTLE BODY AND ENGINE.

TO START:

1. Turn off the ignition and disconnect the negative battery cable.
NOTE: Disconnecting the negative battery cable erases pre-programmed electronic memories. Write down all memory settings before disconnecting the negative battery cable. Some radios will require an anti-theft code to be entered after the battery is reconnected. The anti-theft code is typically supplied with your owner's manual. In the event your vehicles anti-theft code cannot be recovered, contact an authorized dealership to obtain your vehicles anti-theft code.



2. Loosen the hose clamp that secure the factory intake tube turbo inlet.



3. Disconnect the mass air sensor electrical connection.



4. Release the clips that secure the upper half of the air filter housing to the lower and then remove the upper assembly from the vehicle.



5. Remove the two bolts that secure the lower air filter housing.



6. Remove the two bolts that secure the fresh air duct.



7. Remove the plastic push-pin securing the fresh air duct.



8. Pull up the lower air filter housing assembly and remove it from the vehicle.



9. Install the provided edge trim onto the heat shield as shown. **NOTE: Some trimming of the edge trim will be necessary.**



10. Install the filter adapter into the heat shield and secure with the provided hardware.



11. Remove the mounting grommet from the rear of the factory lower air filter housing and install it into the heat shield.



12. Install the heat shield assembly into the vehicle so the grommet aligns with the mounting stud and then secure the heat shield with the hardware provided.



13. Remove the mass air sensor from the factory housing and install it into the K&N intake tube and secure with the factory screws.



14. Insert the maf sleeve into the K&N intake tube as shown.



15. Install the step coupler and hump coupler onto the K&N intake tube as shown.



16. Install the intake tube assembly into the vehicle, position the couplers and adjust for best fit. Secure the assembly with the provided hose clamps.



17. Reconnect the mass air sensor electrical connection.



18. Install the K&N air filter onto the filter adapter and secure with the provided hose clamp.



19. Install the factory fresh air duct and secure with the factory hardware.



20. Apply the K&N badge to the K&N heat shield as shown.



21. Reconnect the vehicle's negative battery cable. Double check to make sure everything is tight and properly positioned before starting the vehicle.

22. It will be necessary for all K&N® high flow intake systems to be checked periodically for realignment, clearance and tightening of all connections. Failure to follow the above instructions or proper maintenance may void warranty.

ROAD TESTING:

1. Start the engine with the transmission in neutral or park, and the parking brake engaged. Listen for air leaks or odd noises. For air leaks secure hoses and connections. For odd noises, find cause and repair before proceeding. This kit will function identically to the factory system except for being louder and much more responsive.
2. Test drive the vehicle. Listen for odd noises or rattles and fix as necessary.
3. If road test is fine, you can now enjoy the added power and performance from your kit.
4. K&N Engineering, Inc., requires cleaning the intake system's air filter element every 100,000 miles. When used in dusty or off-road environments, our filters will require cleaning more often. We recommend that you visually inspect your filter once every 25,000 miles to determine if the screen is still visible. When the screen is no longer visible some place on the filter element, it is time to clean it. To clean and re-oil, purchase our filter Recharger® service kit, part number 99-5050 or 99-5000 and follow the easy instructions.

NOT LEGAL FOR SALE OR USE ON ANY POLLUTION CONTROLLED MOTOR VEHICLE IN CALIFORNIA OR STATES ADOPTING CALIFORNIA EMISSION PROCEDURES.

See knfilters.com for CARB status on each part for a specific vehicle