



# TYPHOON INTAKE SYSTEMS

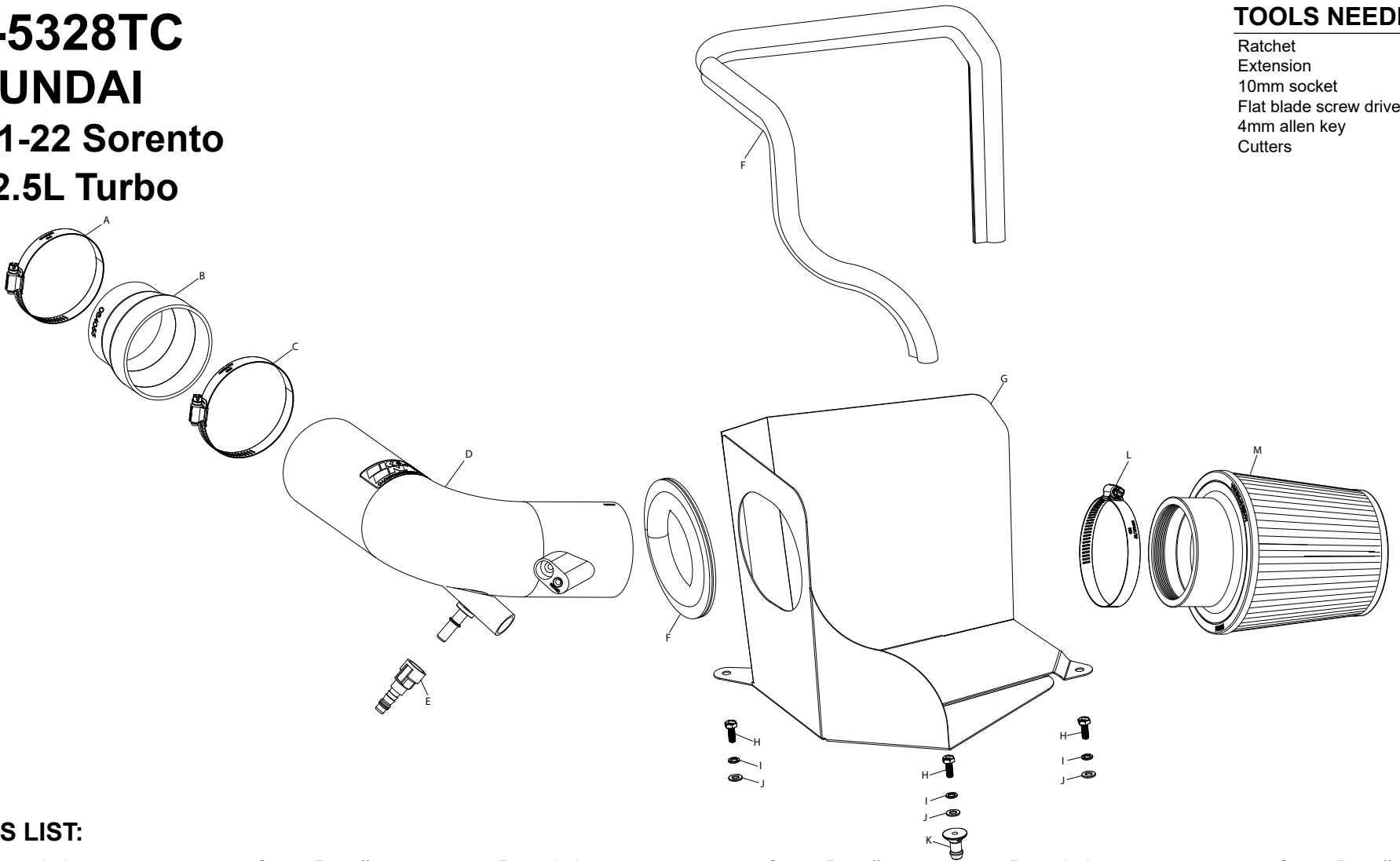
NOT LEGAL FOR SALE OR USE ON ANY POLLUTION CONTROLLED MOTOR VEHICLE IN CALIFORNIA OR STATES ADOPTING CALIFORNIA EMISSION PROCEDURES.  
See knfilters.com for CARB status on each part for a specific vehicle

## INSTALLATION INSTRUCTIONS

**69-5328TC**  
**HYUNDAI**  
**2021-22 Sorento**  
**L4-2.5L Turbo**

**TOOLS NEEDED:**

- Ratchet
- Extension
- 10mm socket
- Flat blade screw driver
- 4mm allen key
- Cutters



**PARTS LIST:**

| Description                | Qty. | Part # | Description             | Qty. | Part # | Description             | Qty. | Part #  |
|----------------------------|------|--------|-------------------------|------|--------|-------------------------|------|---------|
| A HOSE CLAMP; #48          | 1    | 08601  | F EDGE TRIM; 50"L       | 1    | 102481 | K MOUNT; PLASTIC AIRBOX | 1    | 8-186-1 |
| B HOSE; 3.5" TO 3"ID X 3"L | 1    | 084055 | G HEAT SHIELD           | 1    | 074537 | L HOSE CLAMP; #60       | 1    | 08624   |
| C HOSE CLAMP; #56          | 1    | 08620  | H BOLT; M6-1 X 16MM     | 3    | 07812  | M AIR FILTER            | 1    | RE-0950 |
| D TUBE; 3.5"OD X 18"L      | 1    | 25861C | I WASHER; M6 SPLIT LOCK | 3    | 1-3025 |                         |      |         |
| E FITTING; 3/8 BARB        | 1    | 082629 | J WASHER; 6MM FLAT      | 3    | 08269  |                         |      |         |

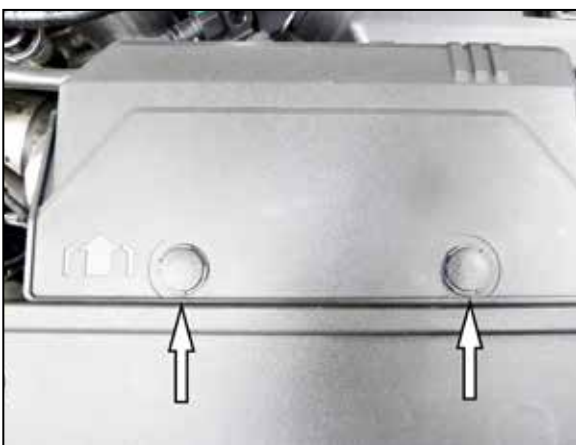
**If you need any assistance please call 1-800-858-3333 to speak with a representative in our Customer Service Center before returning the product.**

**NOTE: FAILURE TO FOLLOW INSTALLATION INSTRUCTIONS AND NOT USING THE PROVIDED HARDWARE MAY DAMAGE THE INTAKE TUBE, THROTTLE BODY AND ENGINE.**

**TO START:**

1. Turn off the ignition and disconnect the negative battery cable.

**NOTE: Disconnecting the negative battery cable erases pre-programmed electronic memories. Write down all memory settings before disconnecting the negative battery cable. Some radios will require an anti-theft code to be entered after the battery is reconnected. The anti-theft code is typically supplied with your owner's manual. In the event your vehicles anti-theft code cannot be recovered, contact an authorized dealership to obtain your vehicles anti-theft code.**



2. Pop up the center of the locking pins that secure the fresh air intake duct and then remove the fresh air intake duct from the vehicle.



3. Depress the center of the locking clips that secure the vent lines to the elector fitting and then disconnect the vent lines from the fitting.



4. Spread the locking spring that secures the charge tube to the inter cooler and then disconnect the charge hose from the inter cooler.



5. Release the spring clamp the secure the BOV hose to the BOV and disconnect the BOV hose. Depress the locking tap and then disconnect the vent line from the BOV.



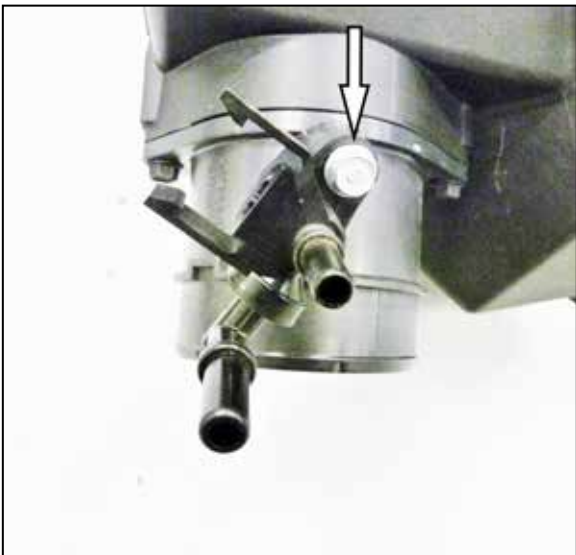
6. Loosen the two hose clamps that secure the factory intake tube and then remove the tube from the vehicle.



7. Remove the front air filter housing mounting bolt shown.



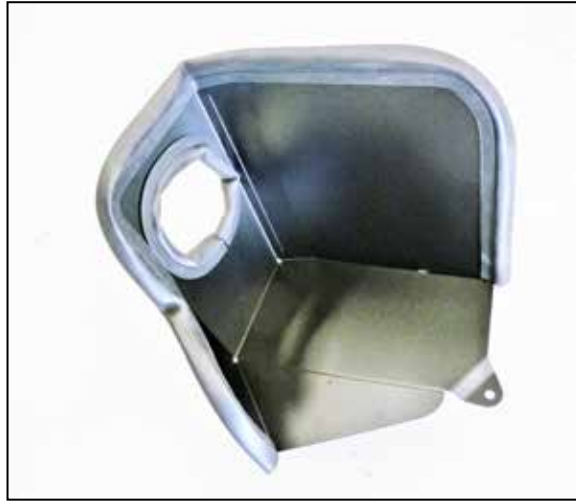
8. Remove the rear air filter housing mounting bolt and then remove the air filter housing from the vehicle.



9. Remove the bolt that secures the ejector fitting to the housing and then remove the ejector fitting.



10. Install the ejector fitting onto the K&N intake tube using the factory bolt.



11. Cut the provided edge trim into sections of 15" and 35". Install the edge trim onto the heat shield as shown.



12. Install the mounting post onto the heat shield using the provided hardware.



13. Release the spring clamp that secure the 90degree quick connect fitting from step #5 and then remove the fitting and replace it with the straight quick disconnect fitting provided.



14. Install the heat shield assembly and secure it to the factory air filter housing mounting location using the provided hardware.



15. Install the provided coupler onto the turbo inlet pipe and secure with the provided hose clamp.



16. Install the K&N intake tube through the heat shield and into the coupler, align for best fit and then secure with the provided hose clamp.



17. Connect the BOV hose and the vent line with the installed straight fitting onto the K&N intake tube as shown.



18. Reconnect the Ejector fitting vent line connections.



19. Install the K&N air filter and secure with the provided hose clamp.



20. Reinstall the fresh air intake duct and secure with the factory retaining pins.



21. Reconnect the vehicle's negative battery cable. Double check to make sure everything is tight and properly positioned before starting the vehicle.

22. It will be necessary for all K&N® high flow intake systems to be checked periodically for realignment, clearance and tightening of all connections. Failure to follow the above instructions or proper maintenance may void warranty.

#### ROAD TESTING:

1. Start the engine with the transmission in neutral or park, and the parking brake engaged. Listen for air leaks or odd noises. For air leaks secure hoses and connections. For odd noises, find cause and repair before proceeding. This kit will function identically to the factory system except for being louder and much more responsive.

2. Test drive the vehicle. Listen for odd noises or rattles and fix as necessary.

3. If road test is fine, you can now enjoy the added power and performance from your kit.

4. K&N Engineering, Inc., requires cleaning the intake system's air filter element every 100,000 miles. When used in dusty or off-road environments, our filters will require cleaning more often. We recommend that you visually inspect your filter once every 25,000 miles to determine if the screen is still visible. When the screen is no longer visible some place on the filter element, it is time to clean it. To clean and re-oil, purchase our filter Recharger® service kit, part number 99-5050 or 99-5000 and follow the easy instructions.

**NOT LEGAL FOR SALE OR USE ON ANY POLLUTION CONTROLLED MOTOR VEHICLE IN CALIFORNIA OR STATES ADOPTING CALIFORNIA EMISSION PROCEDURES.**

See [knfilters.com](http://knfilters.com) for CARB status on each part for a specific vehicle